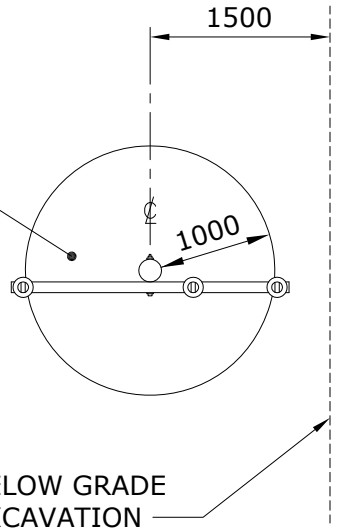


**APPENDIX 'B'**

**CD 30-55 – EXCAVATIONS AROUND POLES**

FOR CHANGES IN GRADE,  
THE MINIMUM AMOUNT OF  
UNDISTURBED EARTH TO BE  
LEFT ALL AROUND POLES  
SHALL BE 1000mm

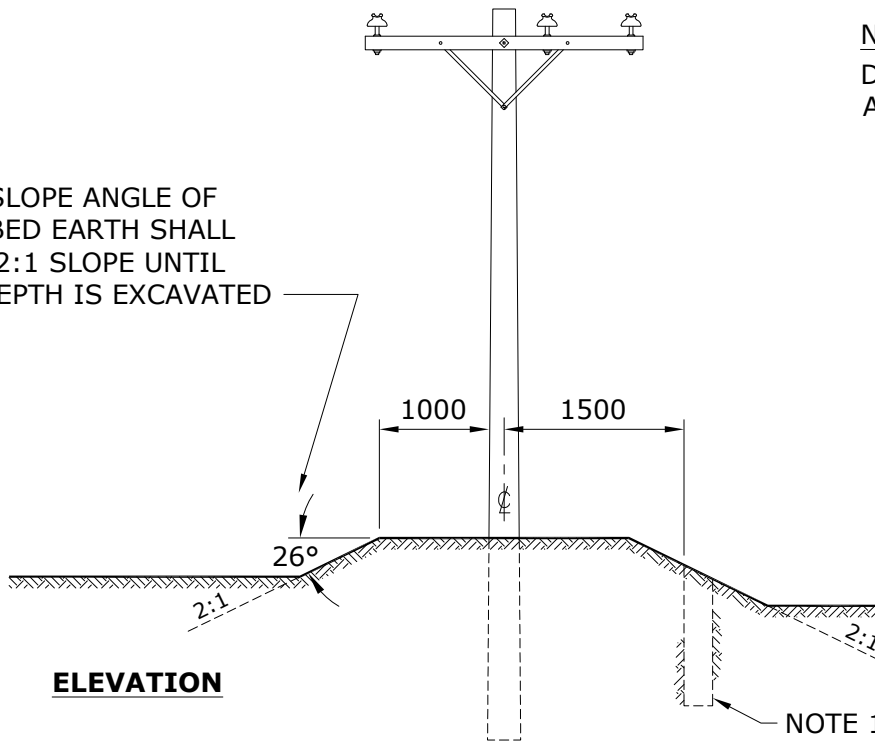


**PLAN**

BELOW GRADE  
EXCAVATION

**NOTE:**  
DIMENSIONS SHOWN  
ARE MILLIMETRES.

MAXIMUM SLOPE ANGLE OF  
UNDISTURBED EARTH SHALL  
BE 26° OR 2:1 SLOPE UNTIL  
DESIRED DEPTH IS EXCAVATED



**ELEVATION**

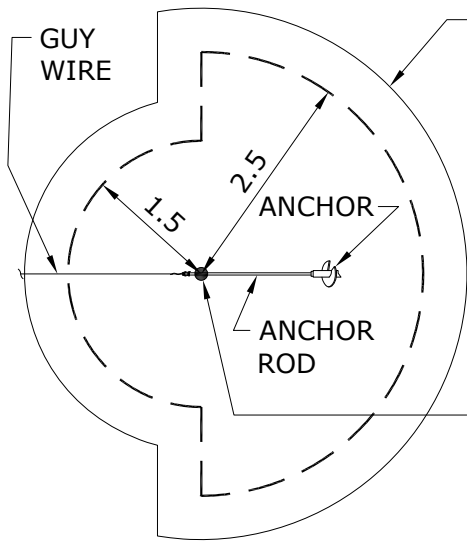
NOTE 1

**NOTE:**

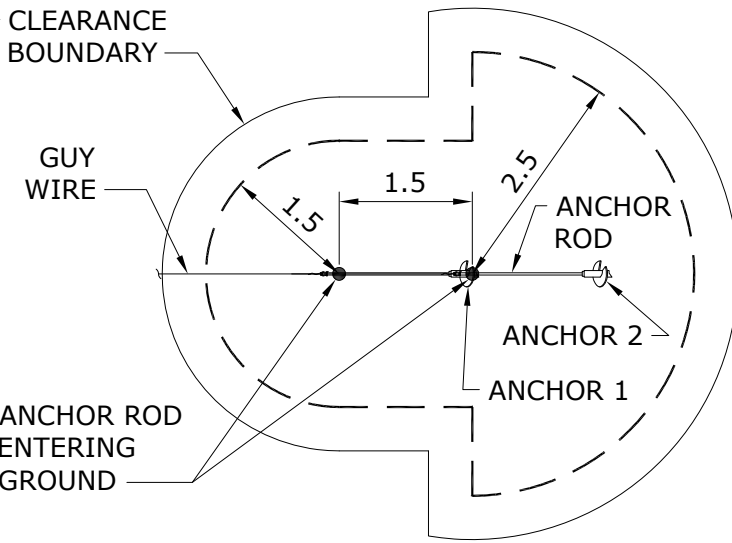
1. THE MINIMUM SEPARATION (TO ANY SIDE OF A POLE) FOR EXCAVATIONS DEEPER THAN 500mm WITHOUT DISTRIBUTION ENGINEERING INVOLVEMENT SHALL BE 1500mm, EXCAVATIONS TO BE BACKFILLED & TAMPED TO MAINTAIN SLOPE. A CIVIL ENGINEER SHOULD BE CONSULTED FOR ANY LARGER (TEMPORARY OR PERMANENT) EXCAVATIONS.

SUPERCEDES ORIGINAL SEALED BY E. WIEBE ON 94-07-11

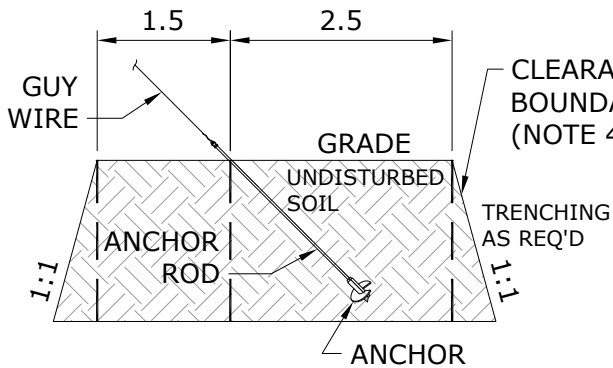
APPROVED	REVISIONS			MANITOBA HYDRO DISTRIBUTION STANDARDS		
ORIGINAL DRAWING SEALED BY D.R. ORR 19-05-17	23-01	4	ADDED SHEET 2 - EXCAVATION LIMITS AROUND ANCHORS	<b>ALLOWABLE EXCAVATIONS AROUND EXISTING POLES AND ANCHORS</b>		
	19-04	3	REVISED NOTE 1, RESEALED			
	06-02	2	REVISED SLOPE & ADDED MORE EXPLANATION TO NOTES			
DRAWN C.A.	CHECKED G.D./C.W.	DATE 19-04	<b>CD 30-55</b>		SHT 0001 OF 2	REV 04



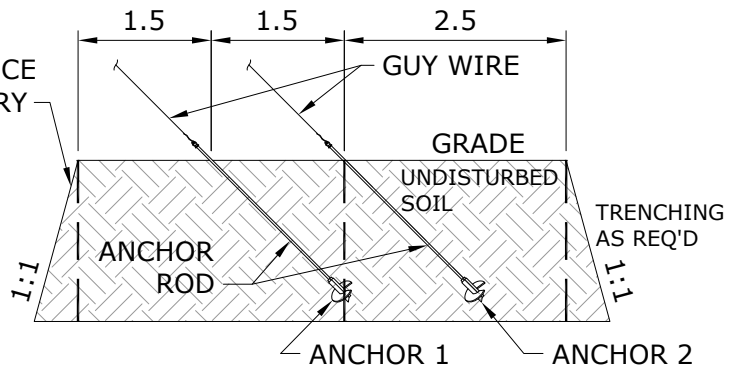
**SINGLE ANCHOR - TOP VIEW**



**MULTIPLE ANCHOR - TOP VIEW**



**SINGLE ANCHOR - PLAN VIEW**



**MULTIPLE ANCHOR - PLAN VIEW**

**NOTES:**

1. EXCAVATION ZONE LIMITS ARE ONLY APPLICABLE FOR NORMAL OR BETTER SOIL CONDITIONS. FOR POOR OR SWAMP SOIL CONDITIONS, CONTACT DISTRIBUTION ENGINEERING BEFORE BEGINNING ANY WORK.
2. IF THERE ARE MULTIPLE ANCHORS IN-LINE, ADD ANOTHER 1.5m FOR EACH ADDITIONAL ANCHOR TO THE 1.5m MINIMUM DIMENSION.
3. THIS DRAWING SHOWS A PISA ANCHOR, IT IS APPLICABLE FOR ALL ANCHOR TYPES.
4. EXCAVATION TO BE DONE AT MAXIMUM ANGLE OF 45° SLOPE AWAY FROM THE CLEARANCE BOUNDARY. THE HORIZONTAL AND VERTICAL CUTS SHALL NOT BE STEEPER THAN 1:1 RATIO TO PREVENT CAVE-IN.
5. IF AT ANY TIME IN THE COURSE OF EXCAVATION THE POLE OR ITS SUPPORTING EQUIPMENT APPEARS TO BECOME UNSTABLE TO ANY DEGREE, WORK SHALL BE HALTED IMMEDIATELY AND DISTRIBUTION ENGINEERING SHALL BE CONTACTED BEFORE PROCEEDING WITH ANY ADDITIONAL EXCAVATION.
6. IF THE SPECIFIED CLEARANCES CANNOT BE MET, CONTACT DISTRIBUTION ENGINEERING BEFORE BEGINNING ANY WORK.
7. DIMENSIONS SHOWN ARE IN METERS.

APPROVED		REVISIONS		MANITOBA HYDRO DISTRIBUTION STANDARDS	
ORIGINAL DRAWING SEALED BY C. WEERAKOON 23-01-30				<b>ALLOWABLE EXCAVATIONS AROUND EXISTING POLES AND ANCHORS</b>	
DRAWN C.A.	CHECKED G.D.	DATE 23-01	<b>CD 30-55</b>		SHT 0002 OF 2
					REV 00